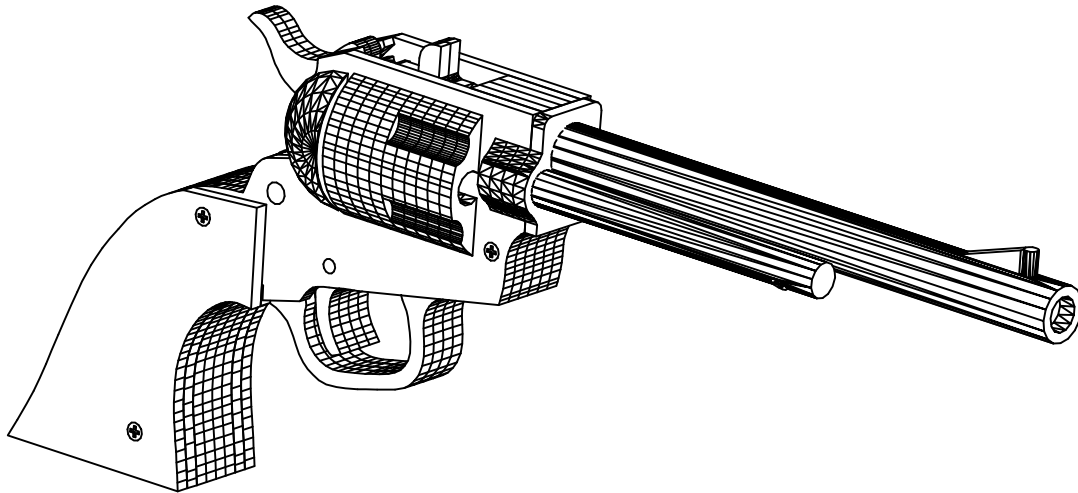


Single Action Army rubber band gun



IMPORTANT!

This is a construction manual for making an harmless rubber band gun. You will make and use it on your own risk. If you don't agree, don't make this rubber band gun.

Please pay attention to laws concerning realistic imitation firearms in your country.

Materials:

- 4mm bright plywood ca. 450x600mm
- 4mm dark hardwood ca. 200x250mm (grips)

- ø16mm hardwood dowel 189mm
- ø10mm hardwood dowel 100mm
- ø6mm hardwood dowel ca. 50mm
- ø4mm hardwood dowel ca. 150mm

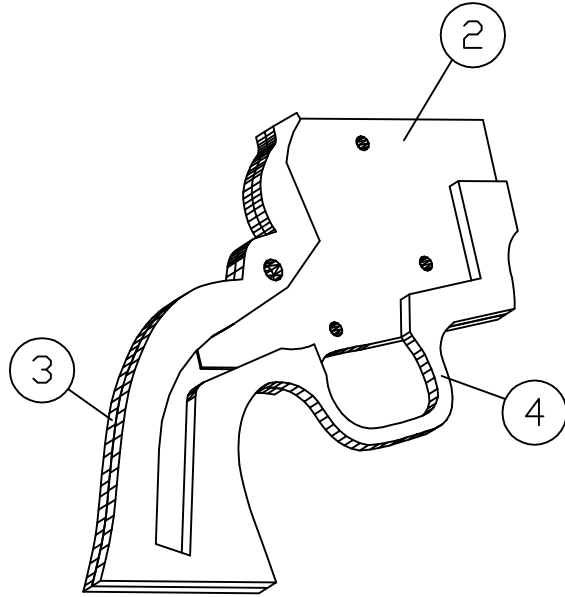
- 1x screw 3x30mm
- 4x screw 3x20mm

- rubber bands ø40mm

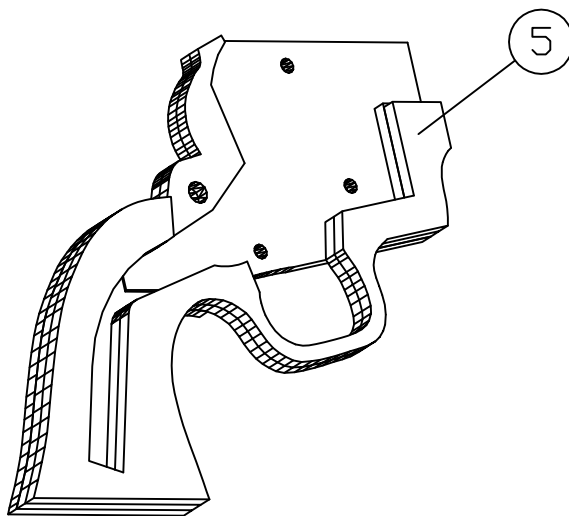
Tools:

- scroll saw (fret saw)
- drill press (cordless drill)
- sandpaper
- wood glue
- screwdriver
- ø3, ø4, ø6, ø10 brad point drill

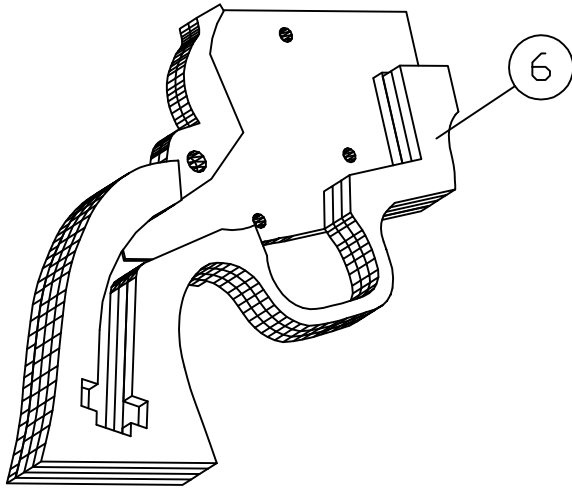
1



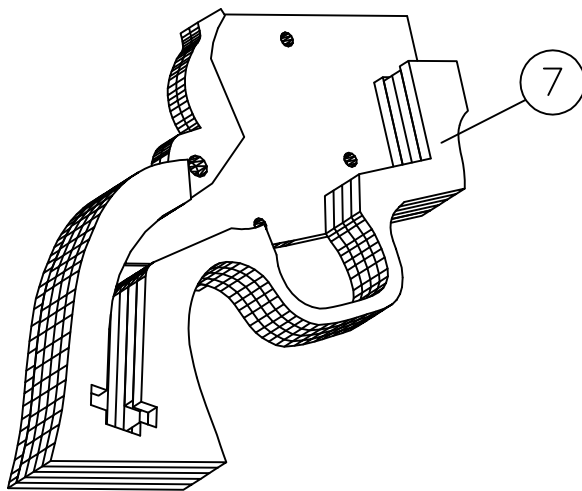
2



3



4

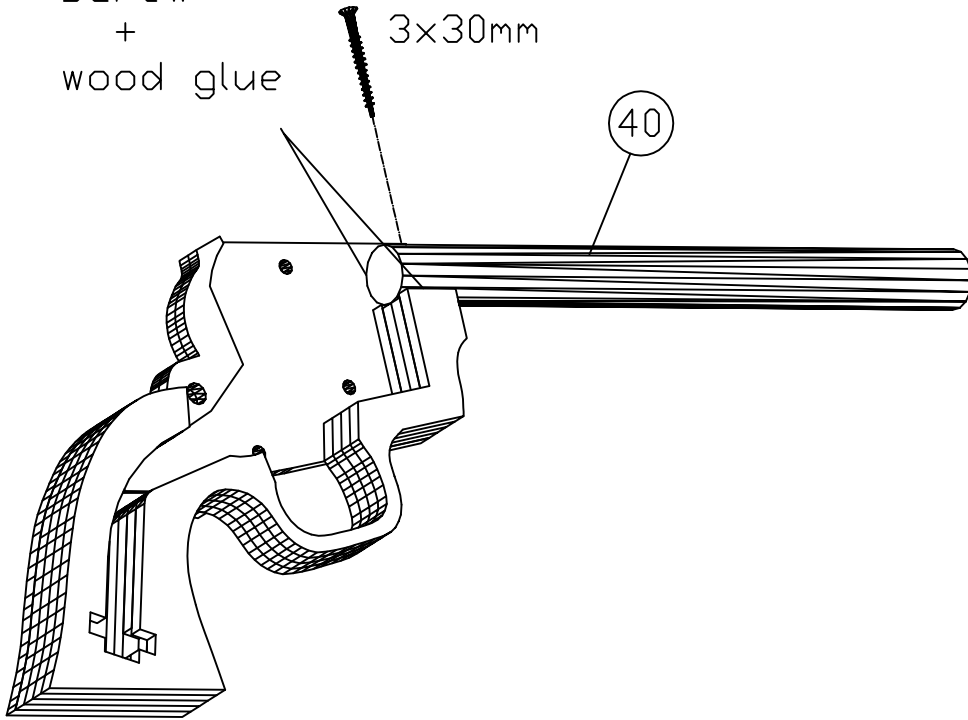


5

screw
+
wood glue

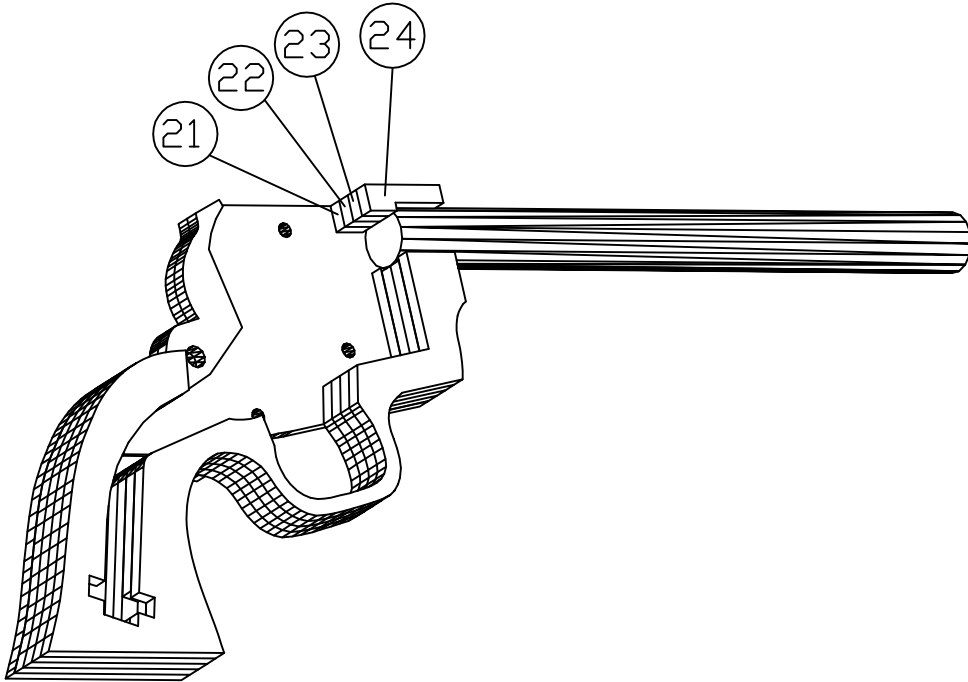
3x30mm

40

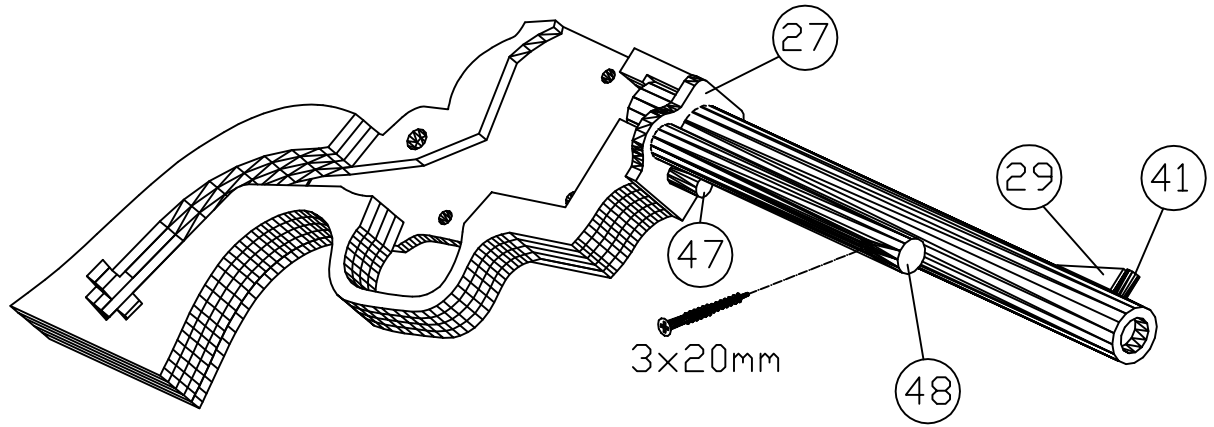


6

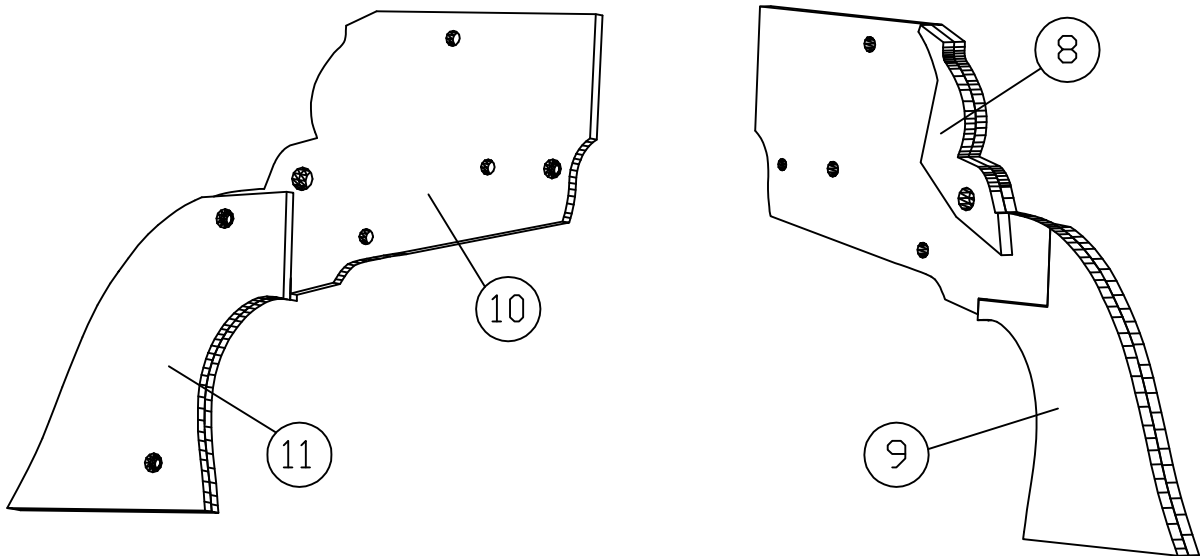
21
22
23
24



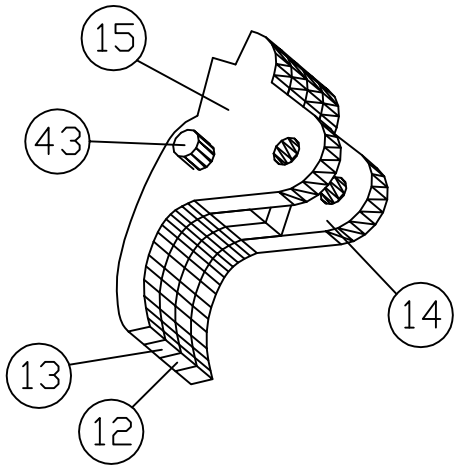
7



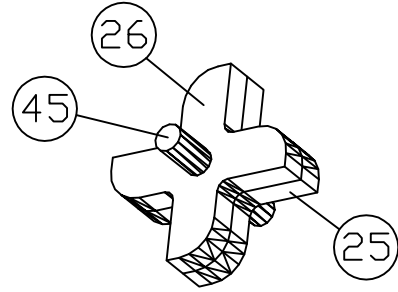
8



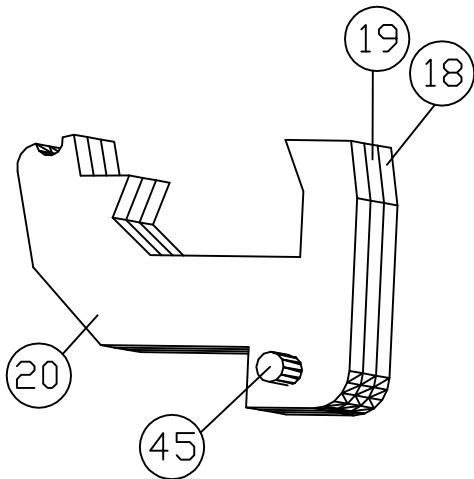
9



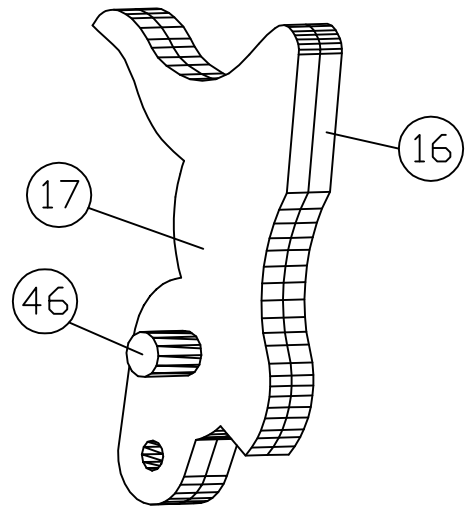
10



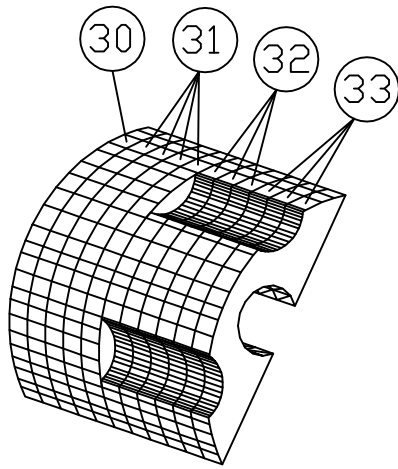
11



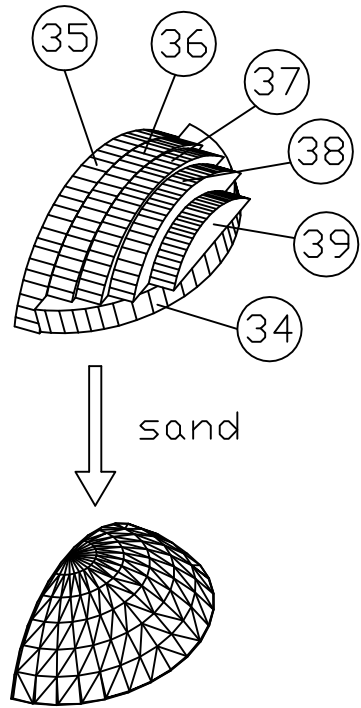
12



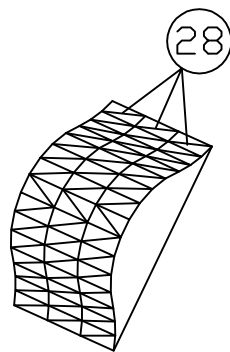
13 2x



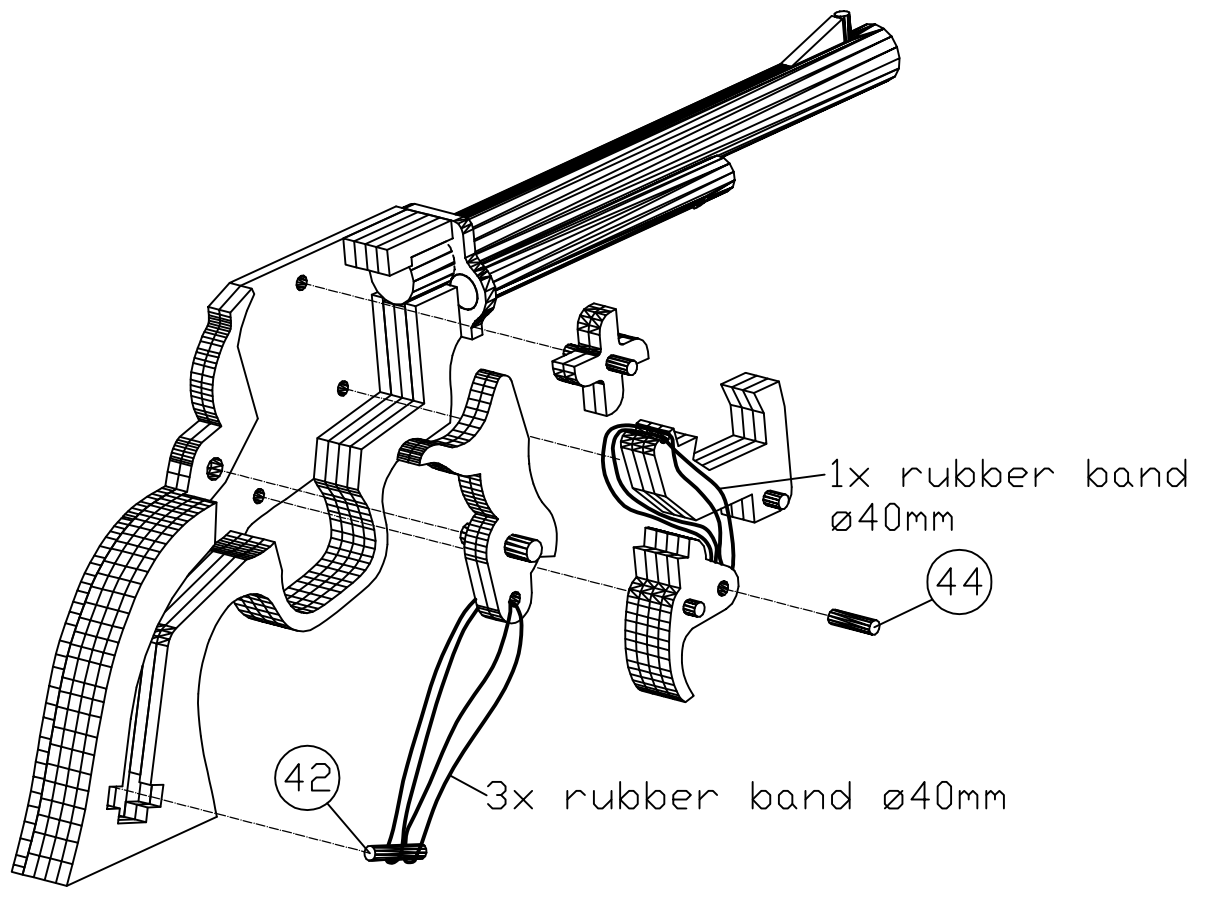
14 2x



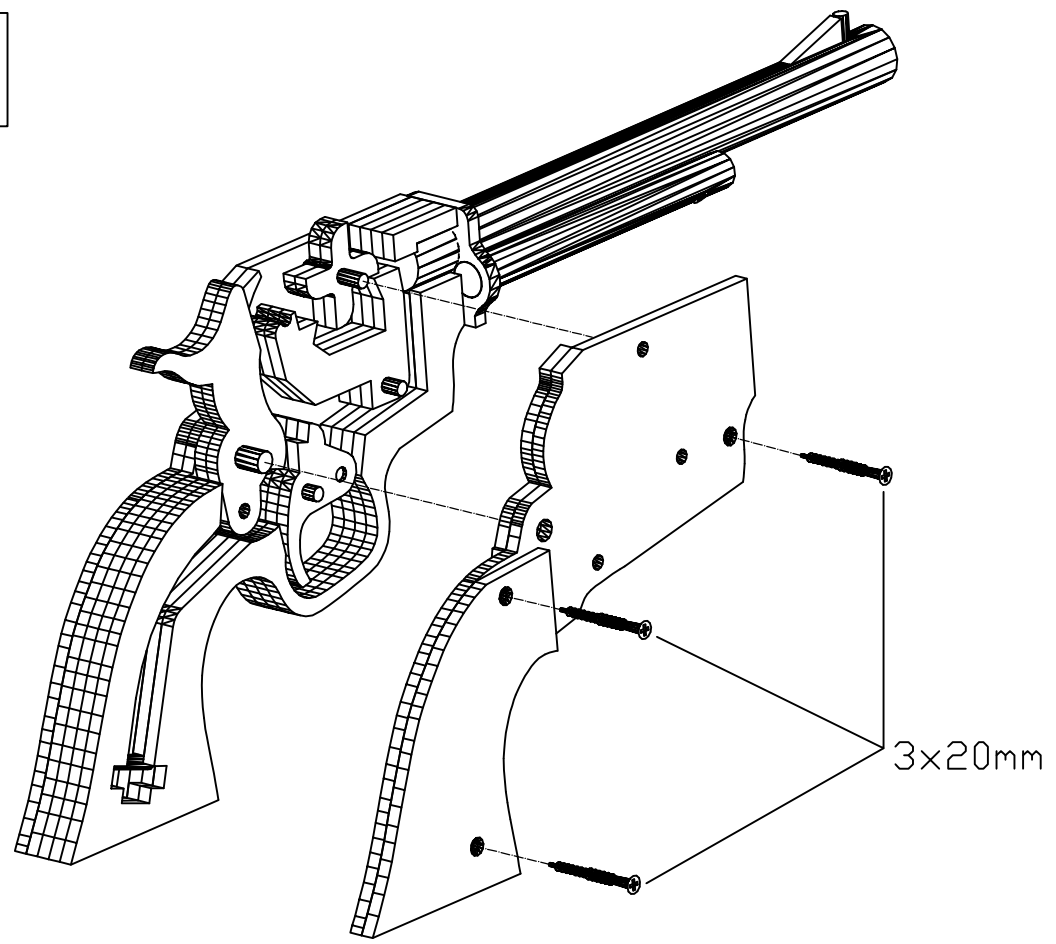
15



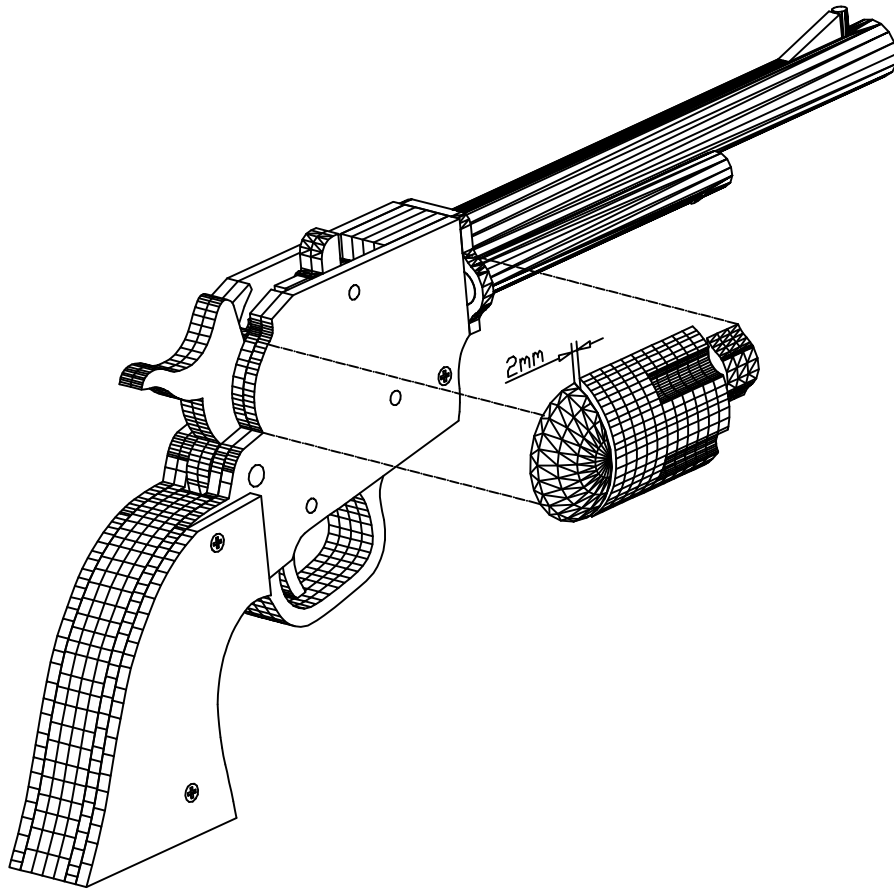
16



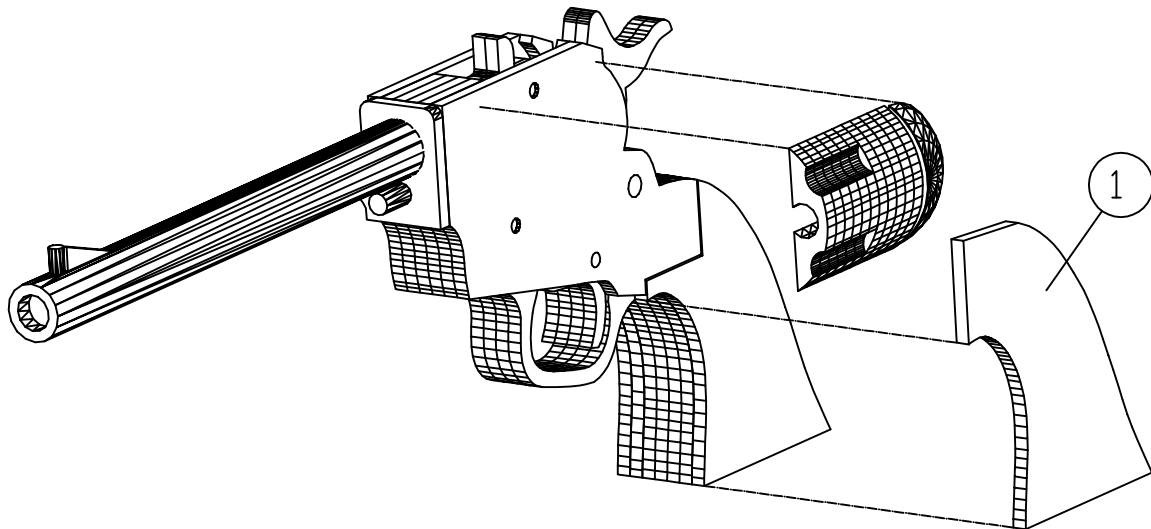
17

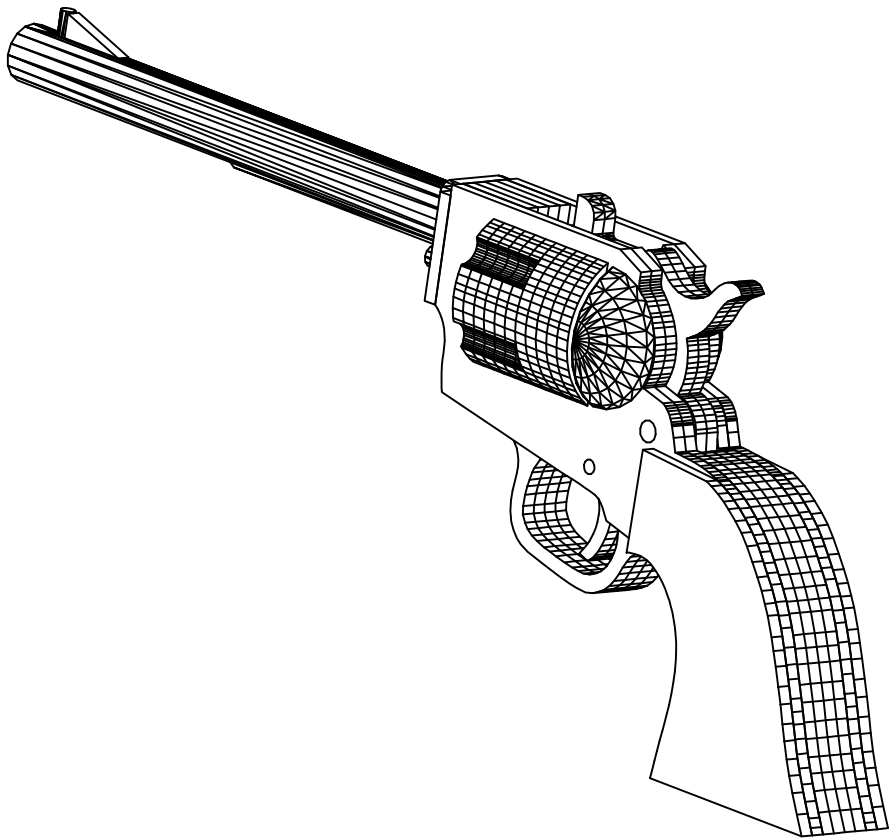
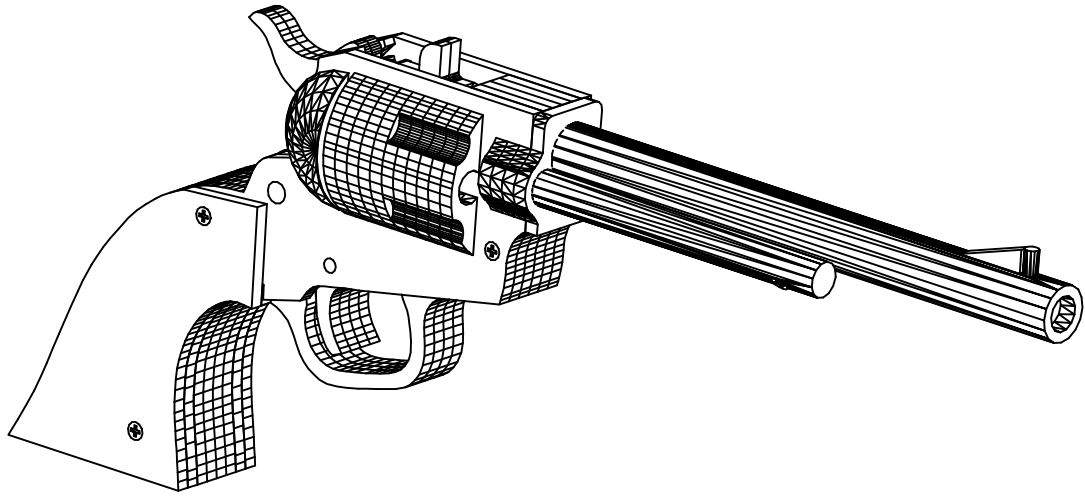


18

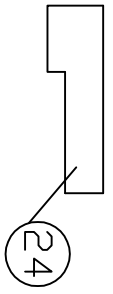


19

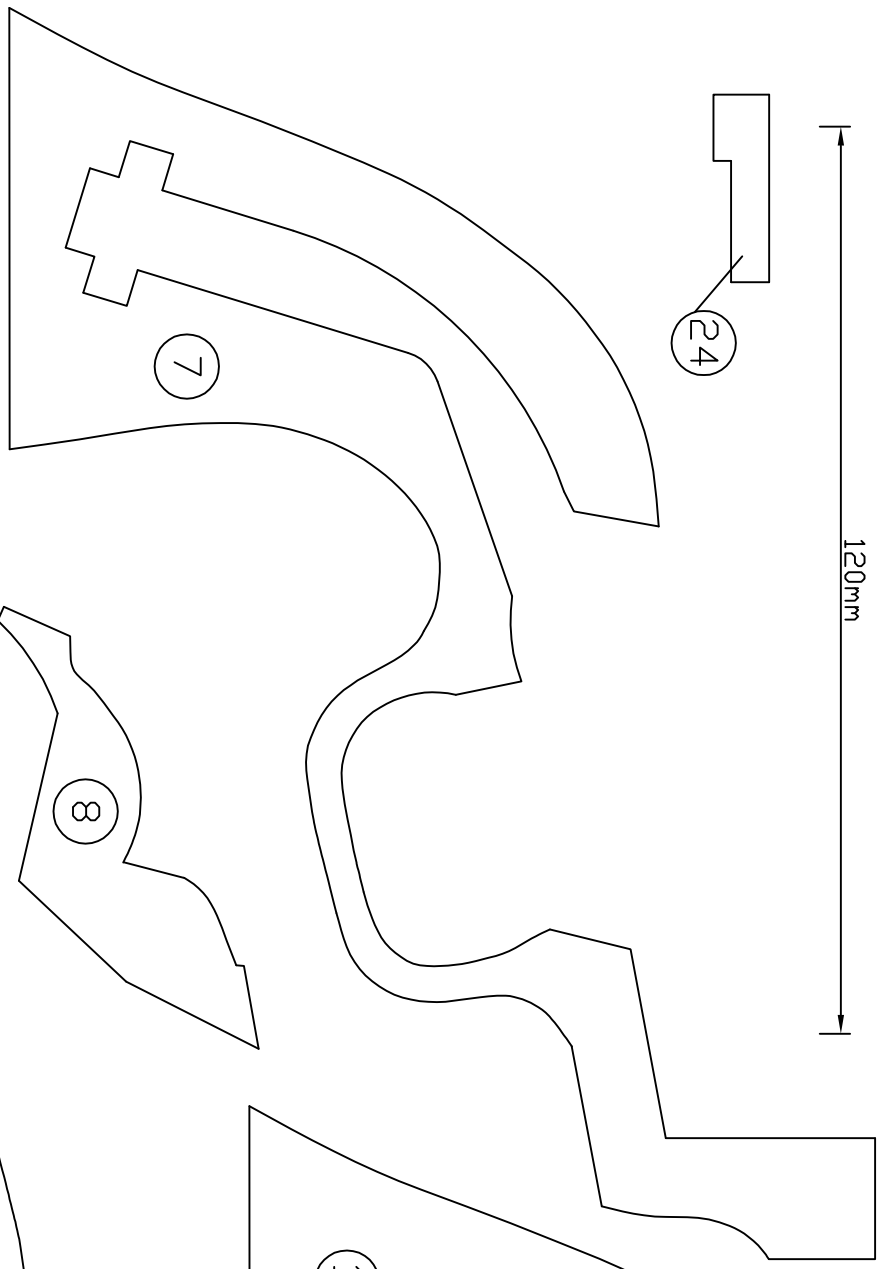




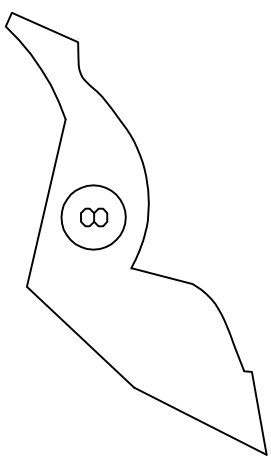
120mm



24



7



8

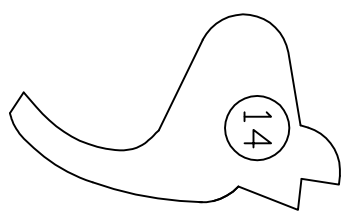


11

ø3mm

dark hardwood

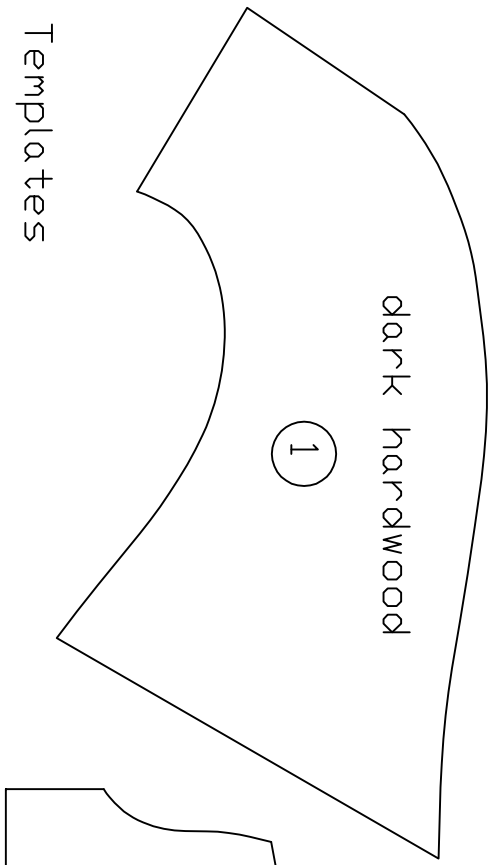
ø3mm



14

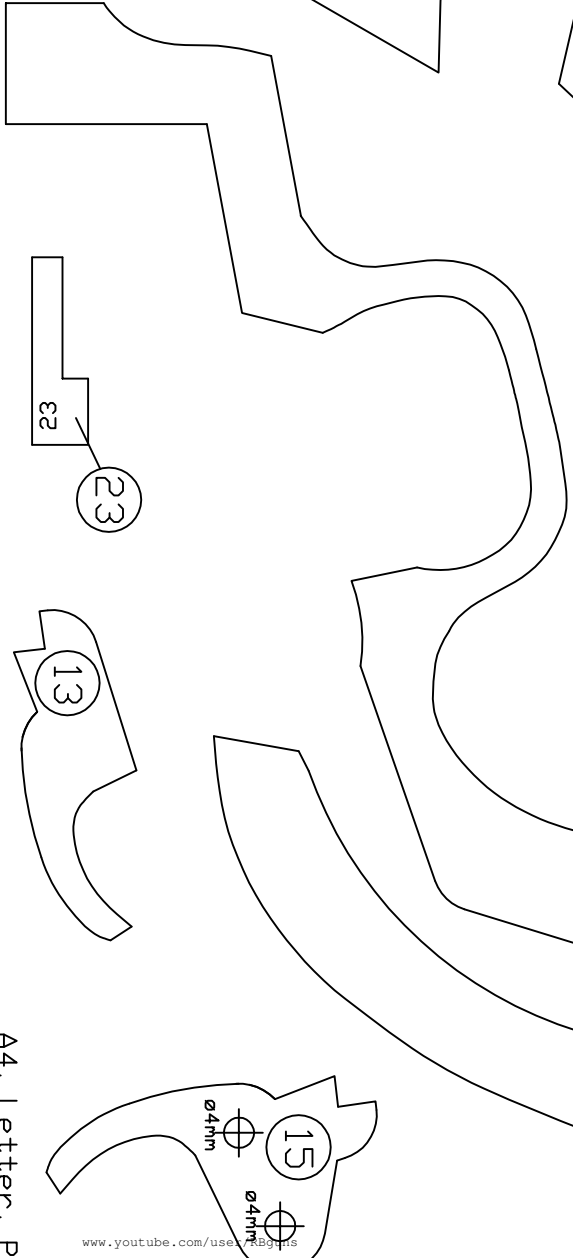


12

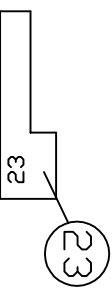


1

dark hardwood



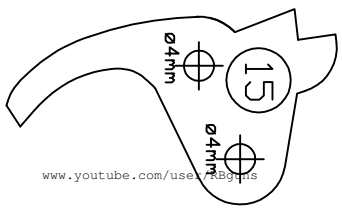
9



23



13



15

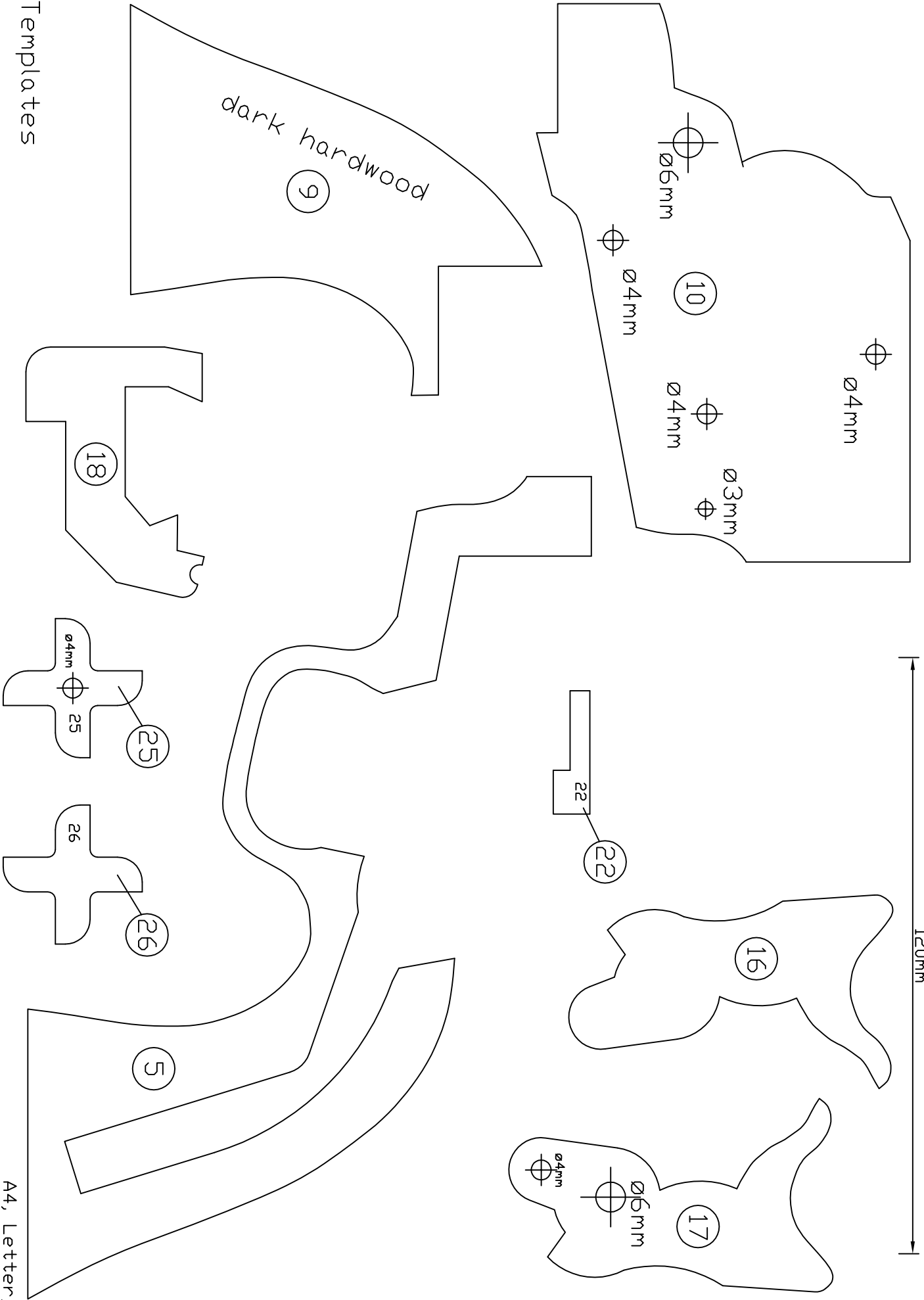
ø4mm

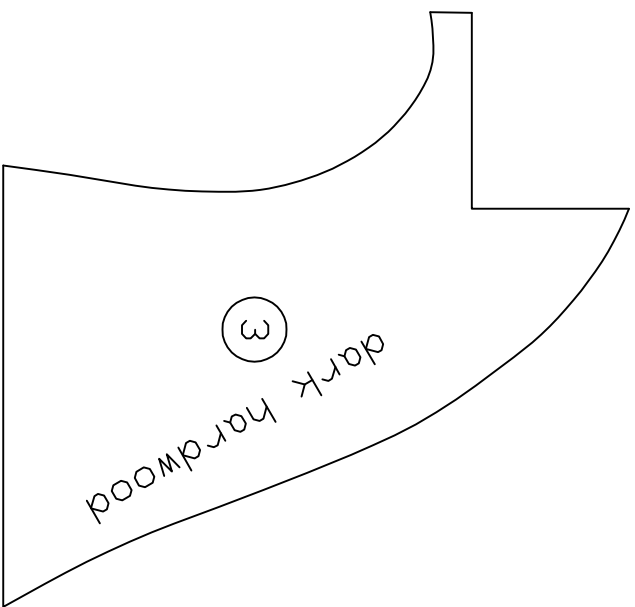
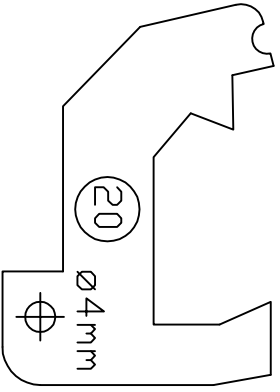
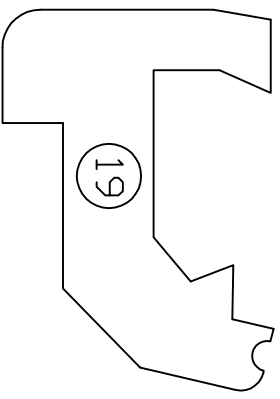
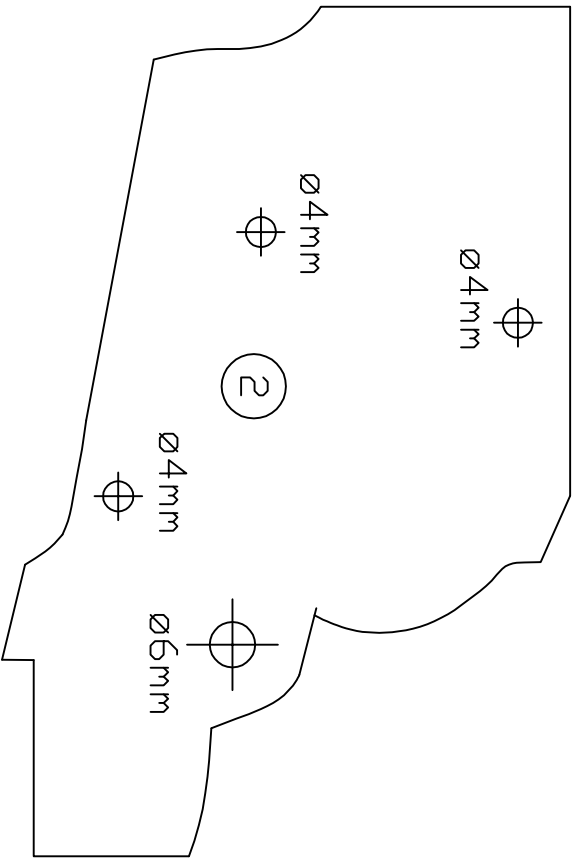
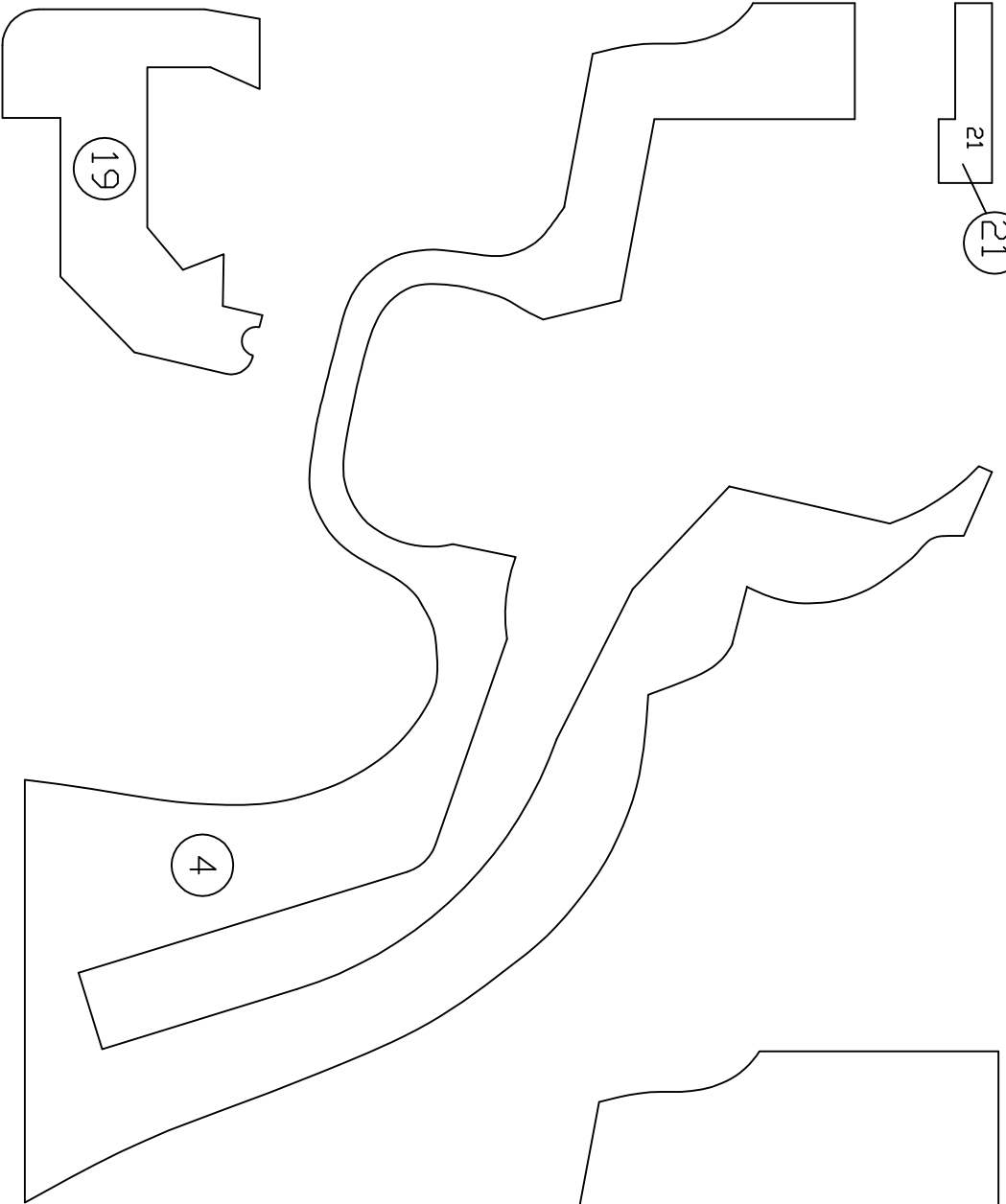
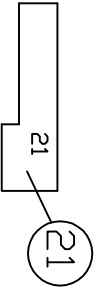
ø4mm

Templates

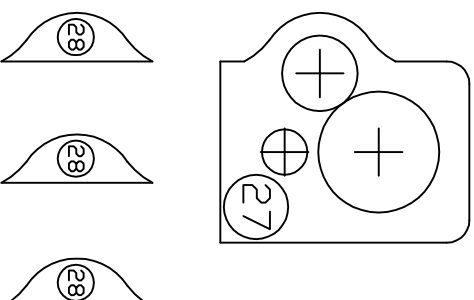
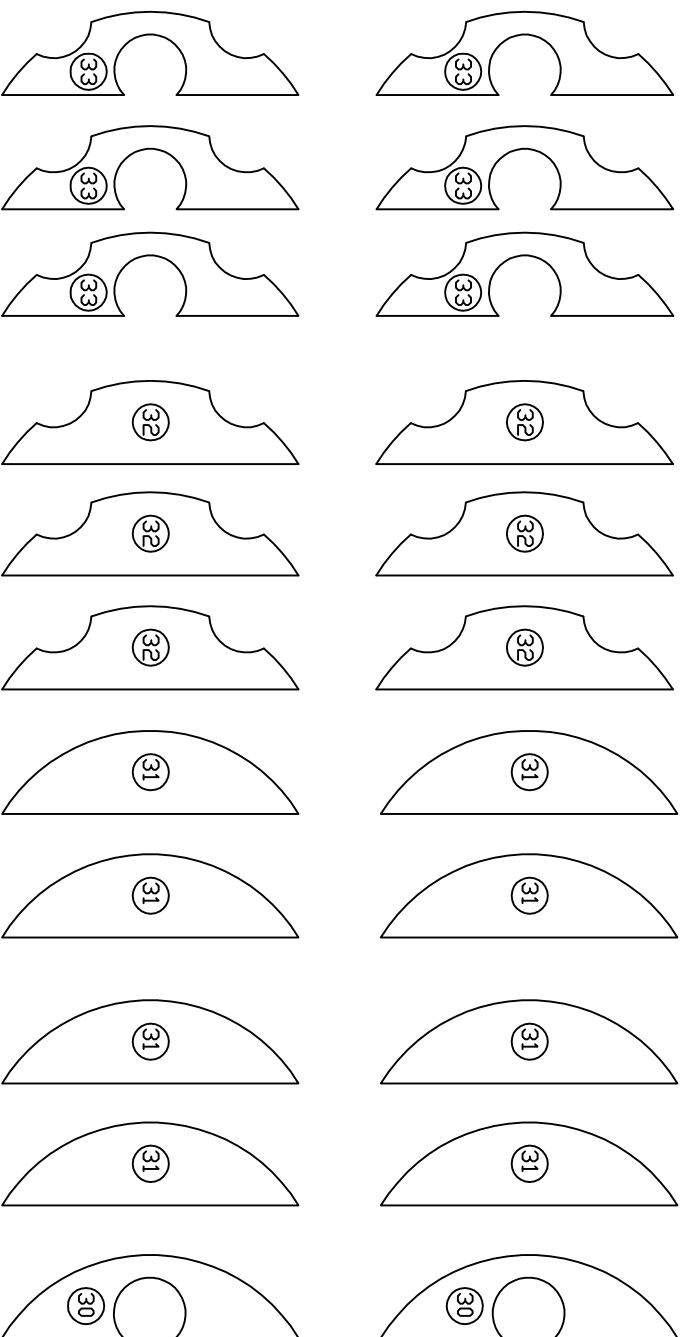
A4, Letter, P4

Templates

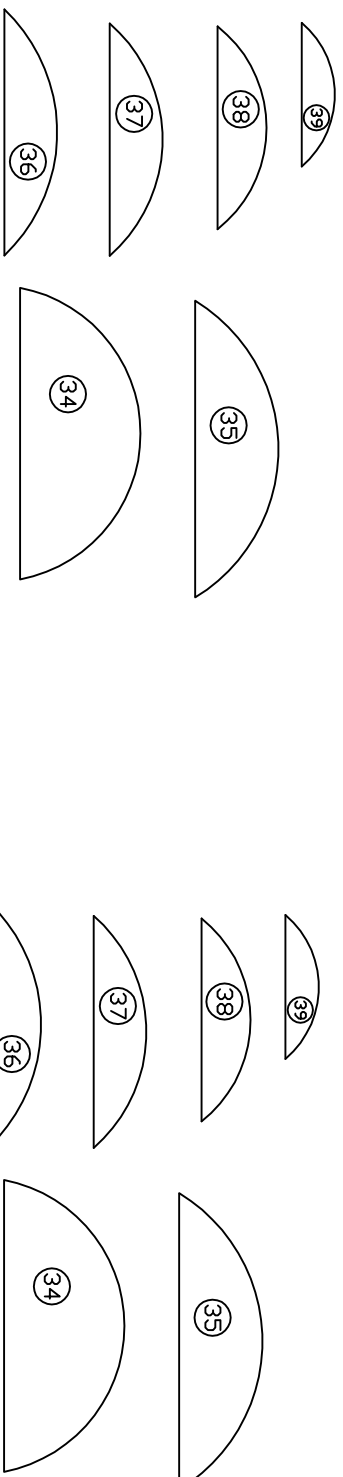




Templates



120mm



Templates

