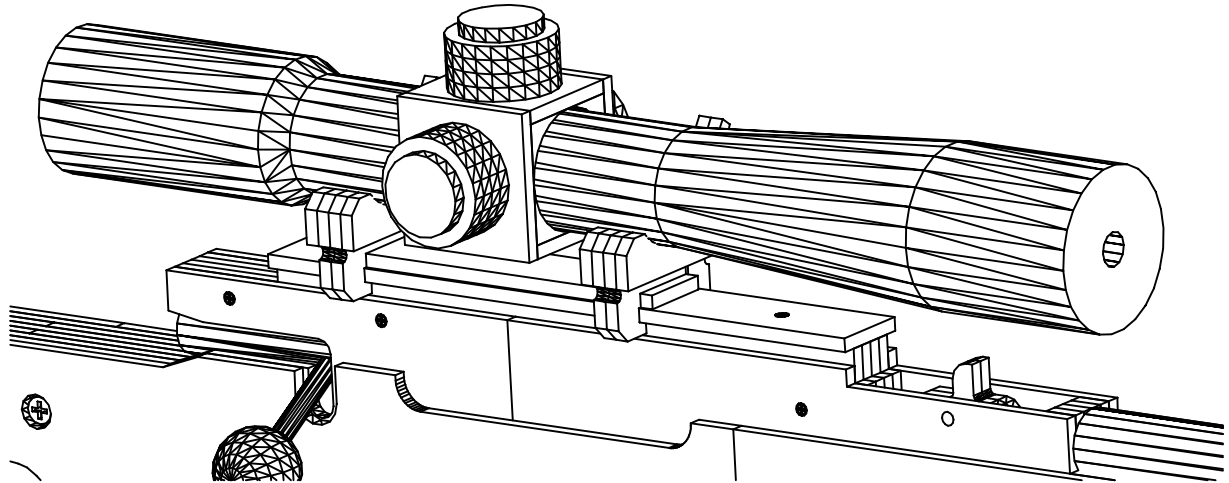
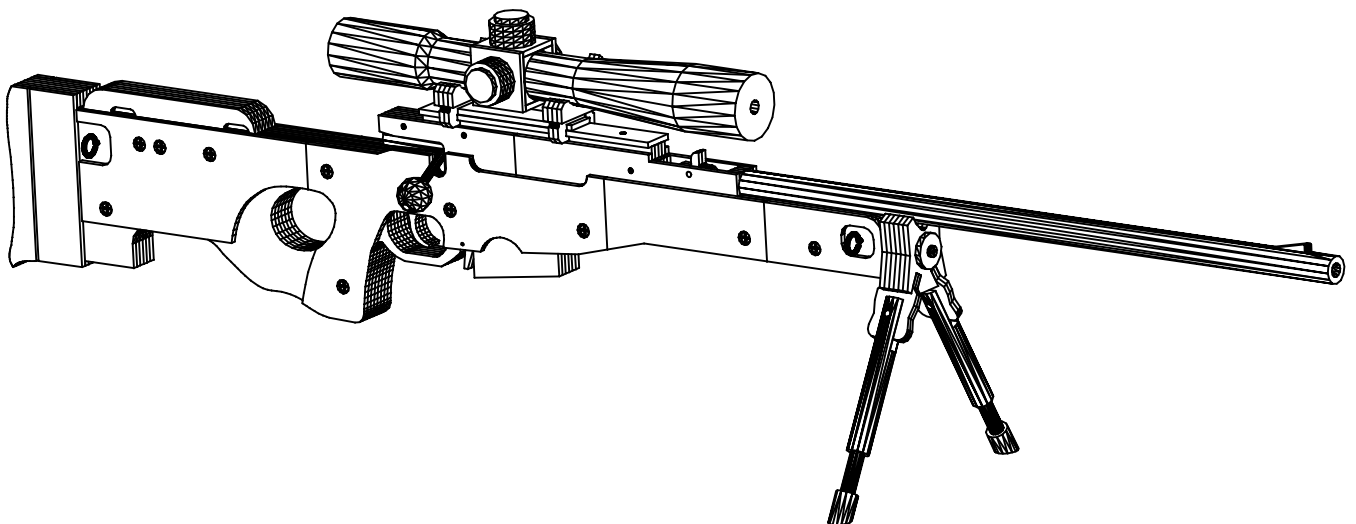


# Scope for L96A1 rubber band gun



## IMPORTANT!

This is a construction manual for making an harmless rubber band gun. You will make and use it on your own risk. If you don't agree, don't make this rubber band gun. Please pay attention to laws concerning realistic imitation firearms in your country.



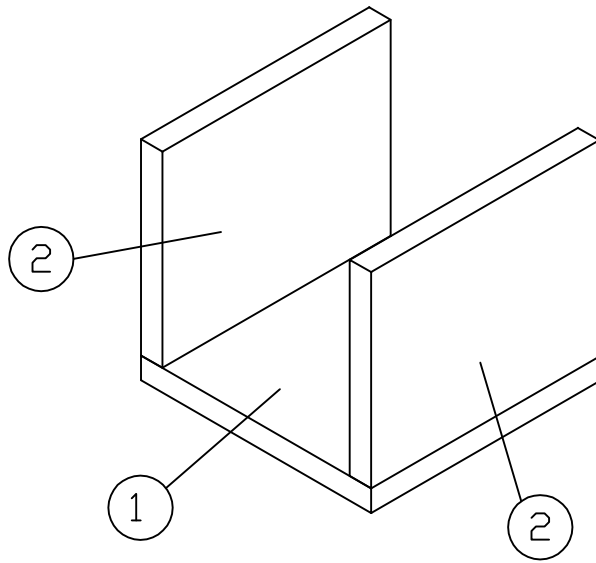
## Materials:

- 4mm plywood ca. 420\*300mm
- hardwood ca. 56x56x353mm
- 2x ø2mm nail (steel)
- 2x screw 3,5x25mm (countersunk)
- rubber bands ø40mm

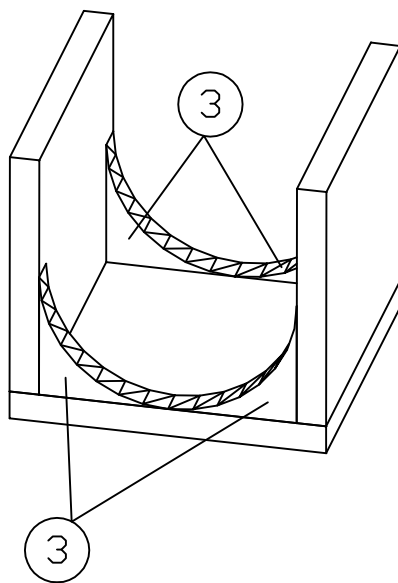
## Tools:

- woodworking lathe
- scroll saw (fret saw)
- drill press (cordless drill)
- sandpaper
- wood glue
- screwdriver
- ø10mm drill ca. 400mm long
- ø2, ø4, brad point drill

1

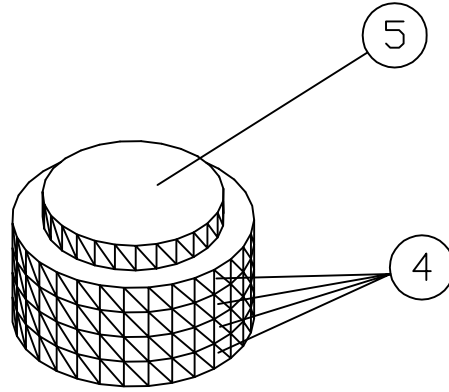


2



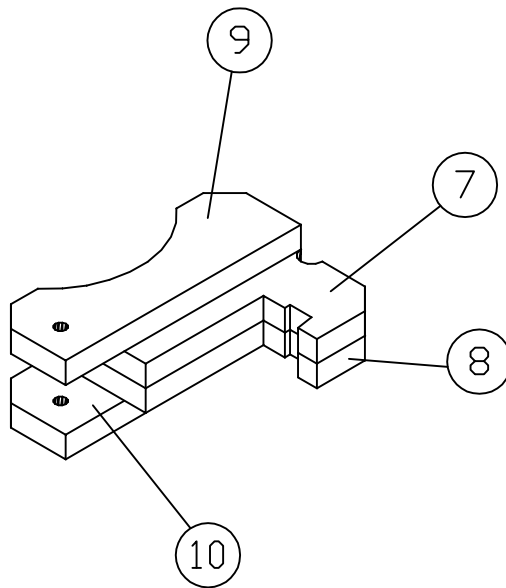
3

3x



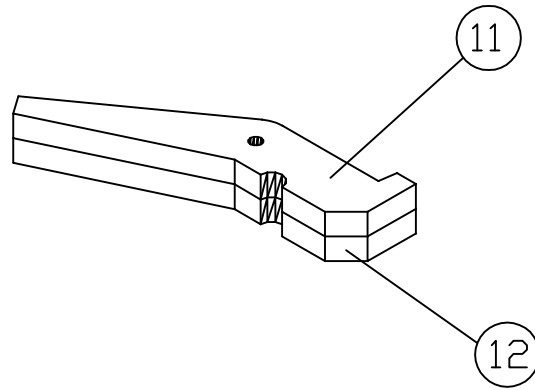
4

2x

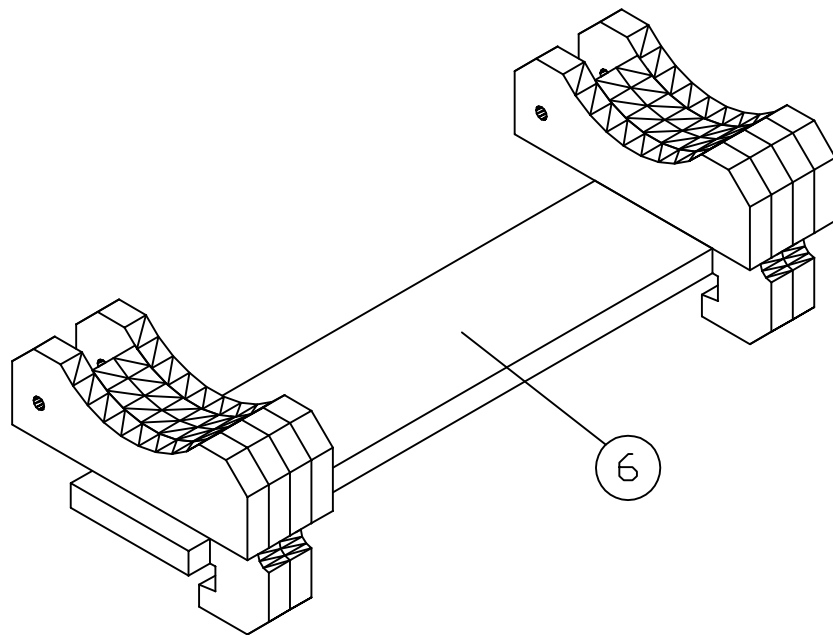


5

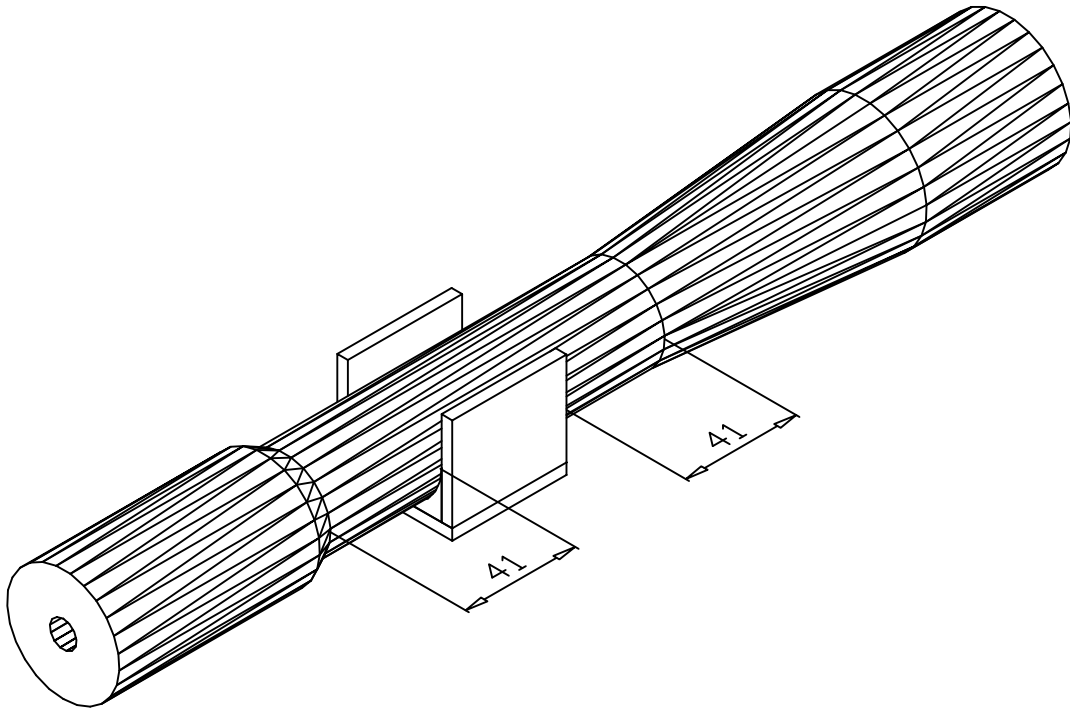
2x



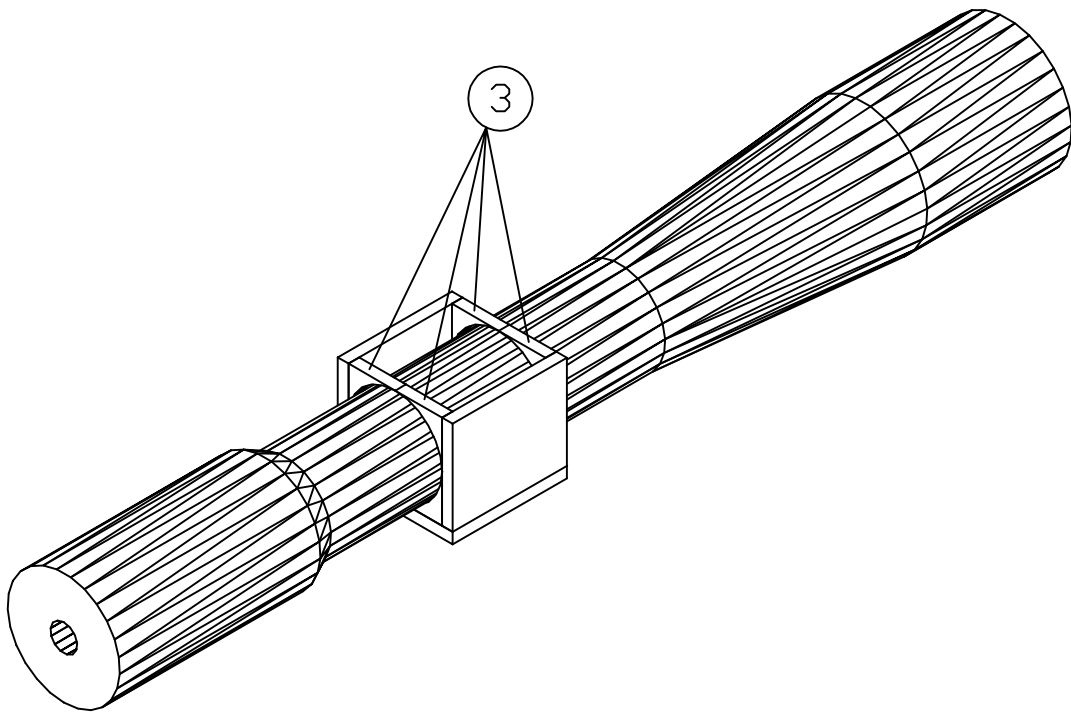
6



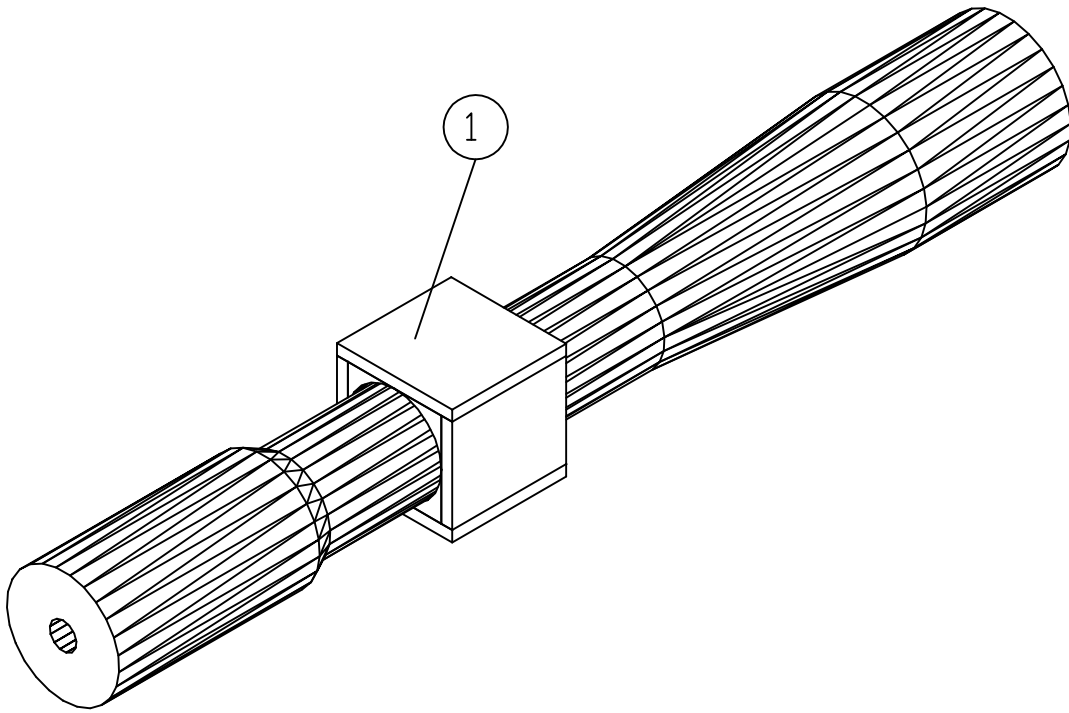
7



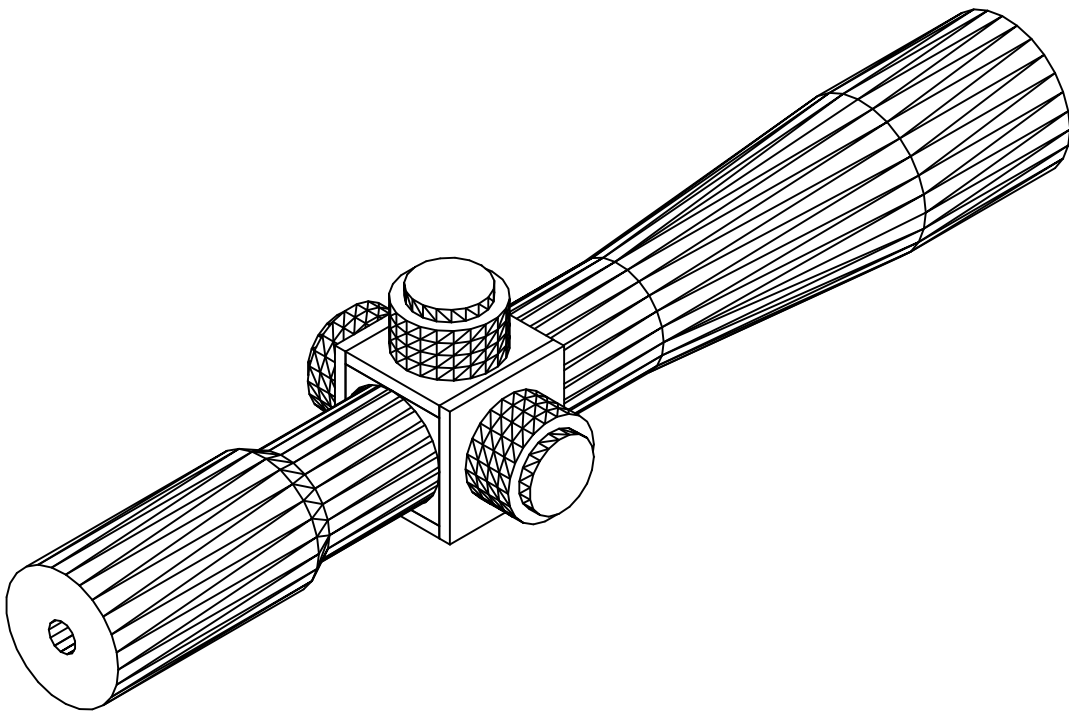
8



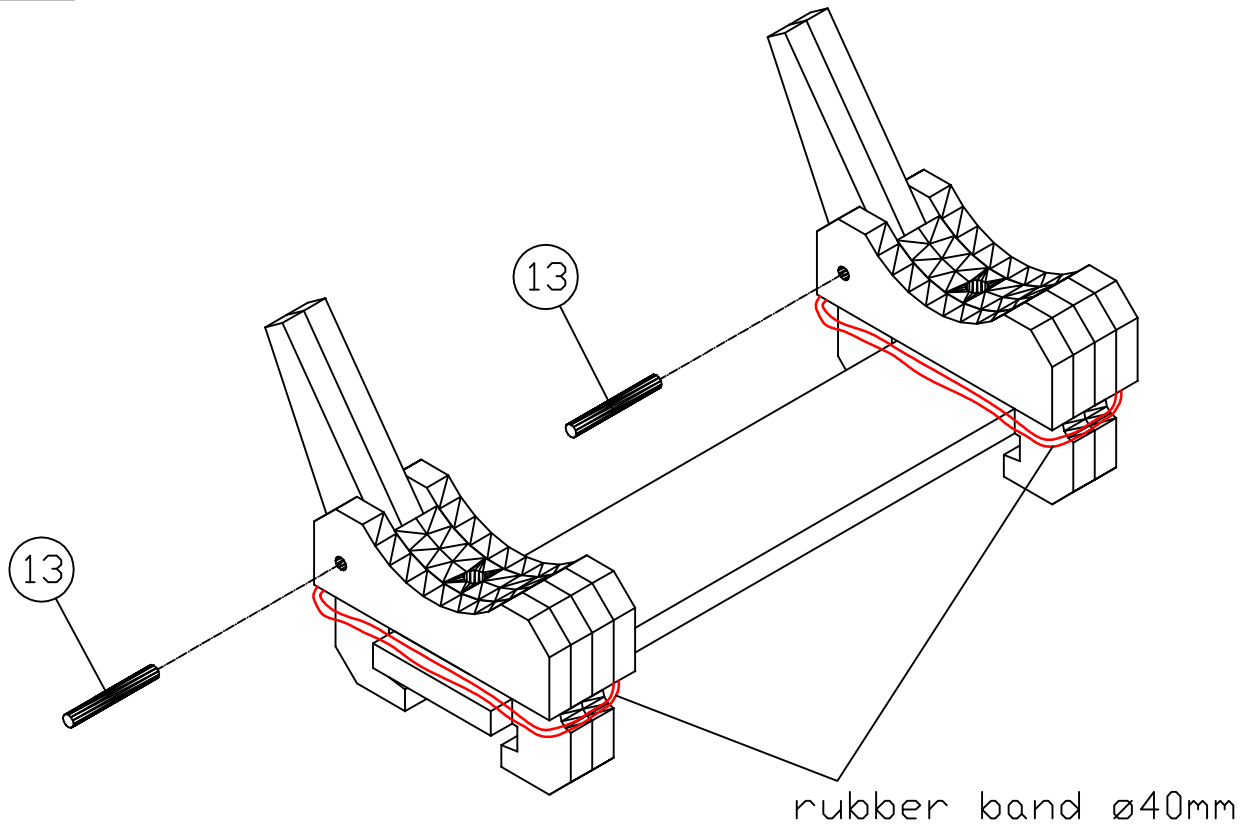
9



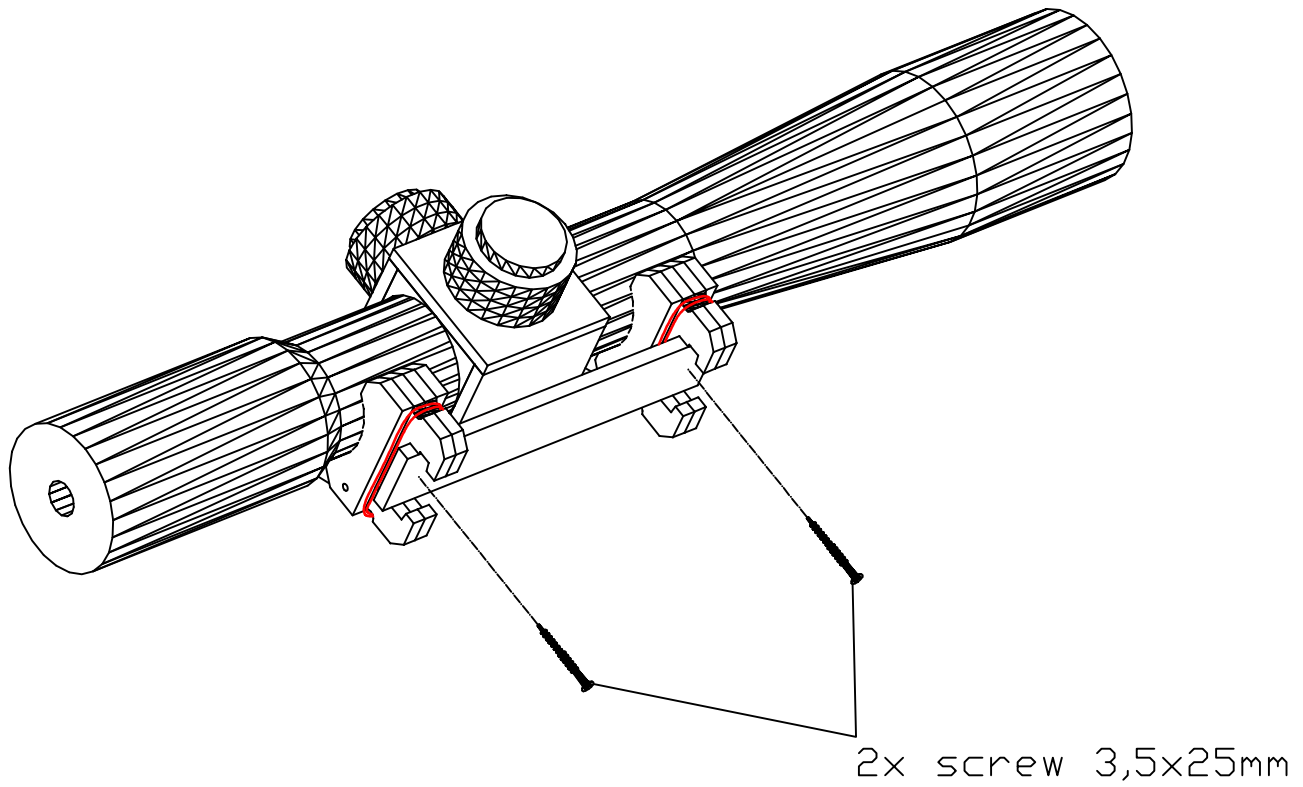
10



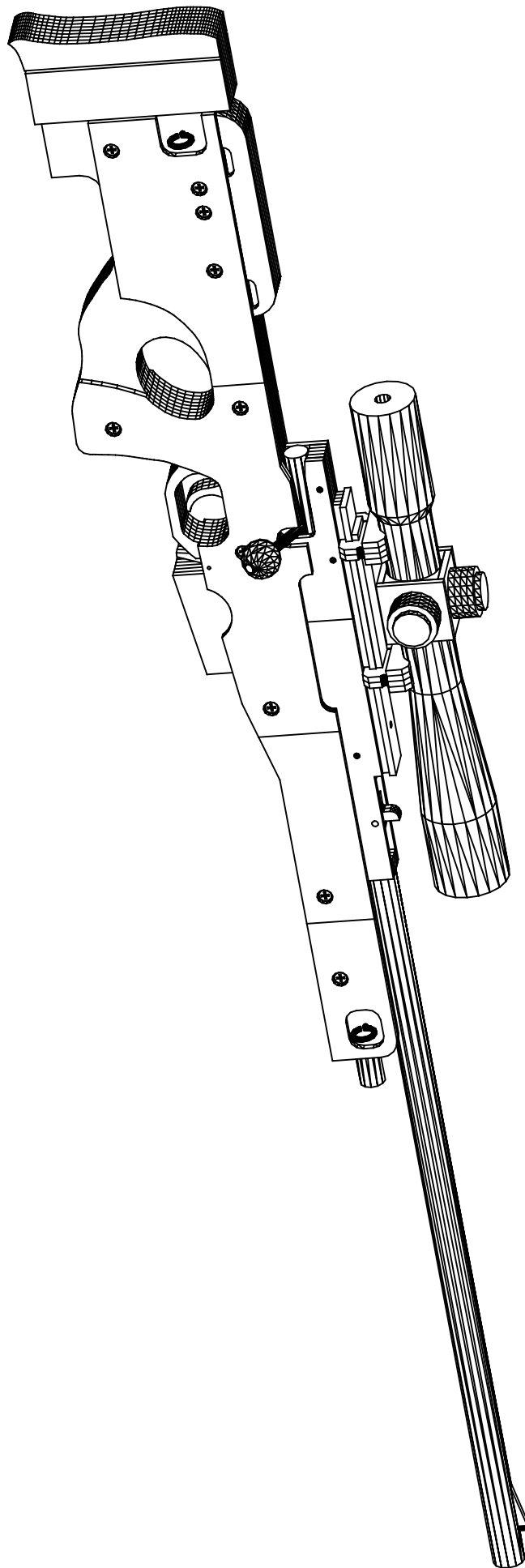
11

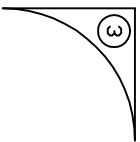
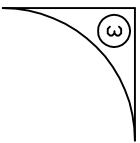
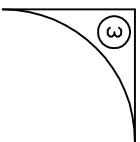
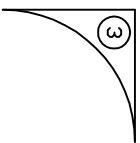
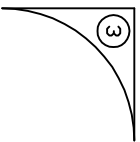
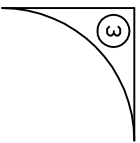
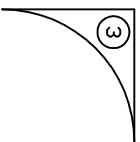
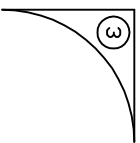
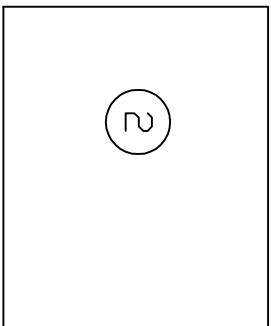
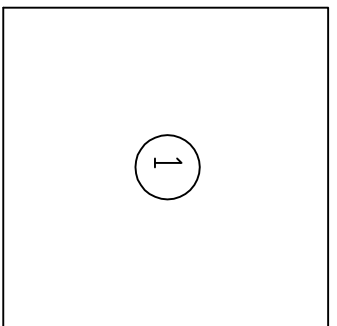
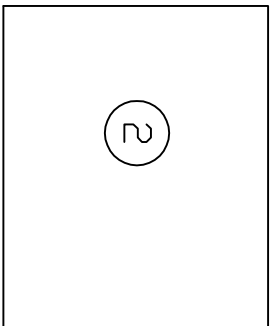
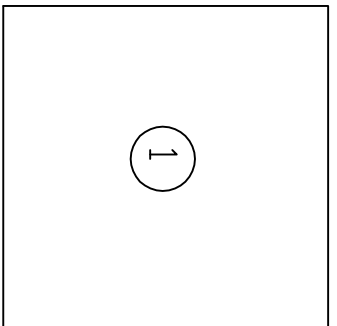
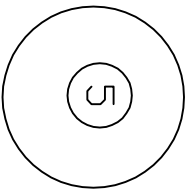
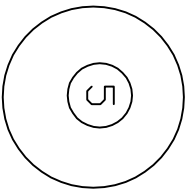
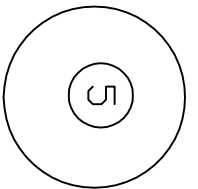
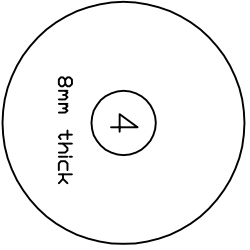
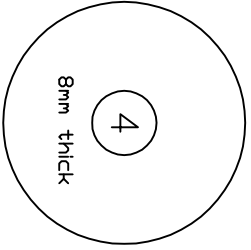
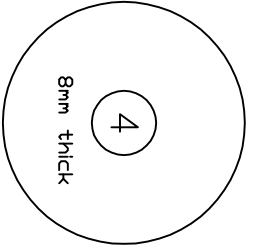
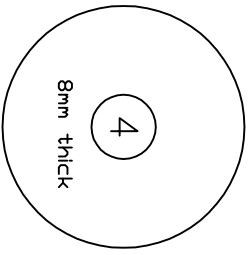
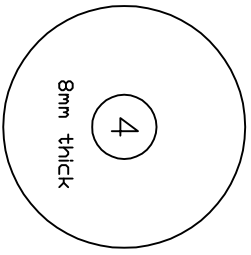
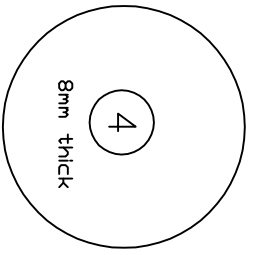


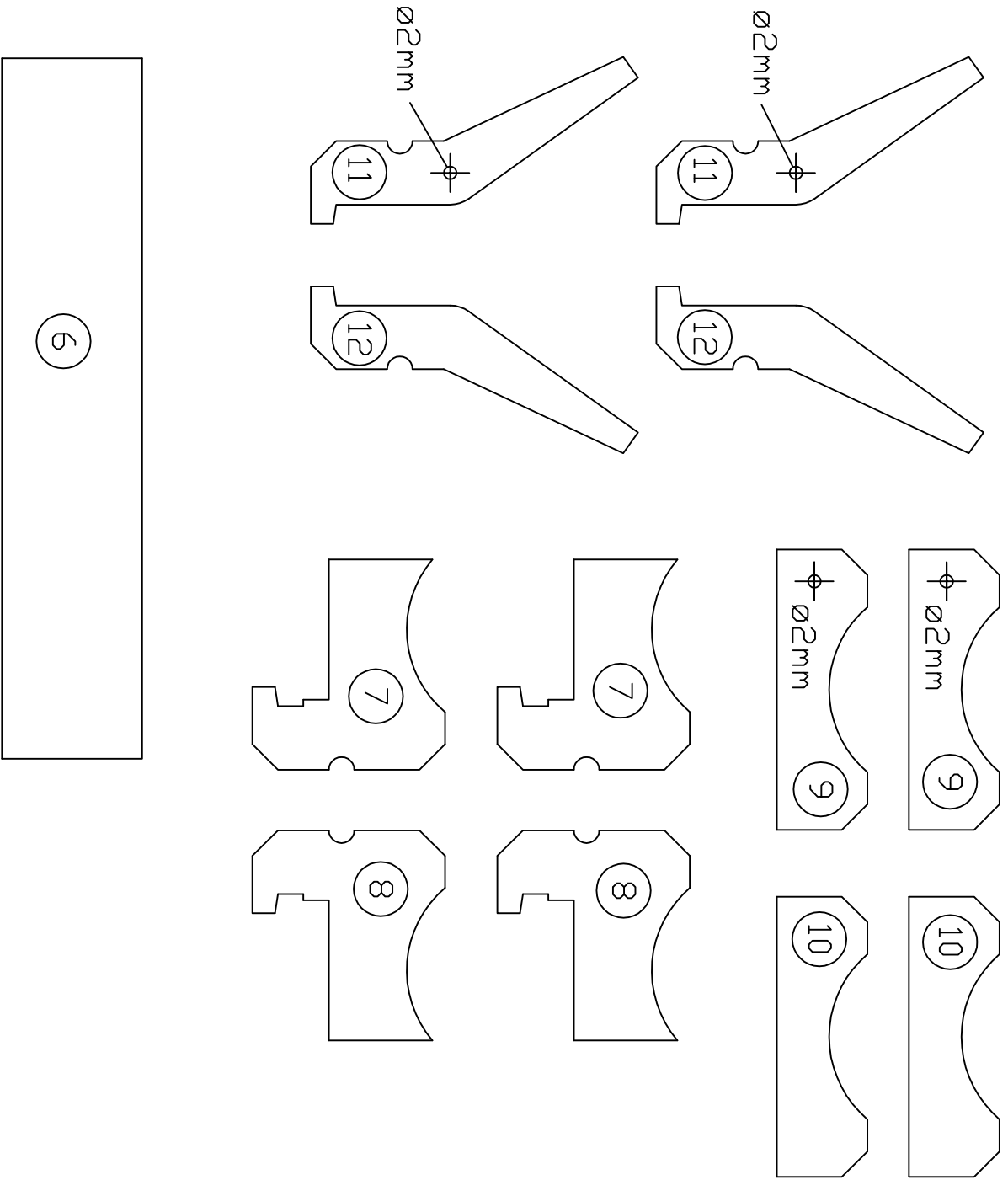
12











13 steel

