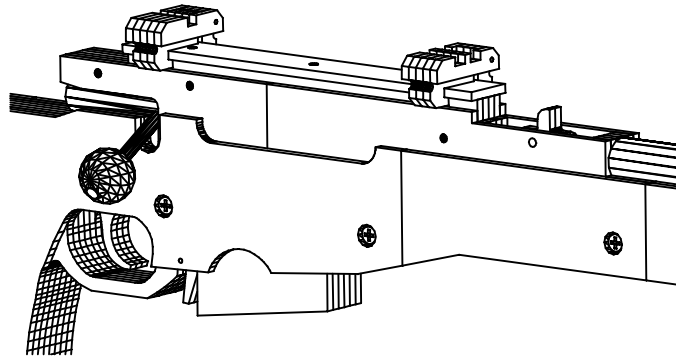


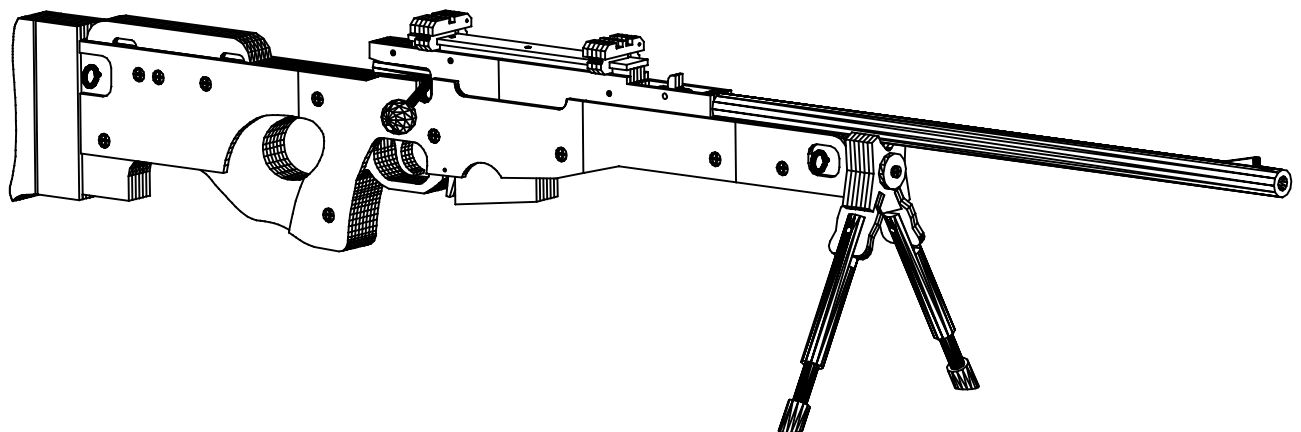
L96A1 Iron Sights rubber band gun



IMPORTANT!

This is a construction manual for making an harmless rubber band gun. You will make and use it on your own risk. If you don't agree, don't make this rubber band gun.

Please pay attention to laws concerning realistic imitation firearms in your country.



Materials:

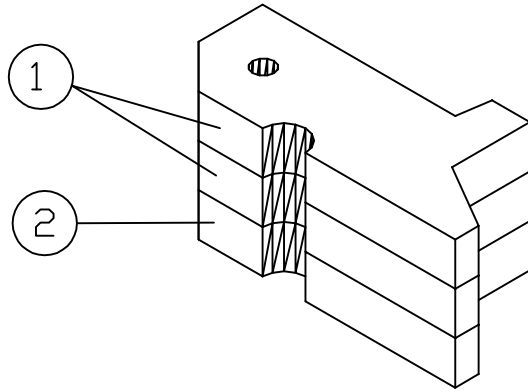
- 4mm plywood ca. 300x210mm
- 2x ø2mm nail (steel)
- rubber bands ø40mm

Tools:

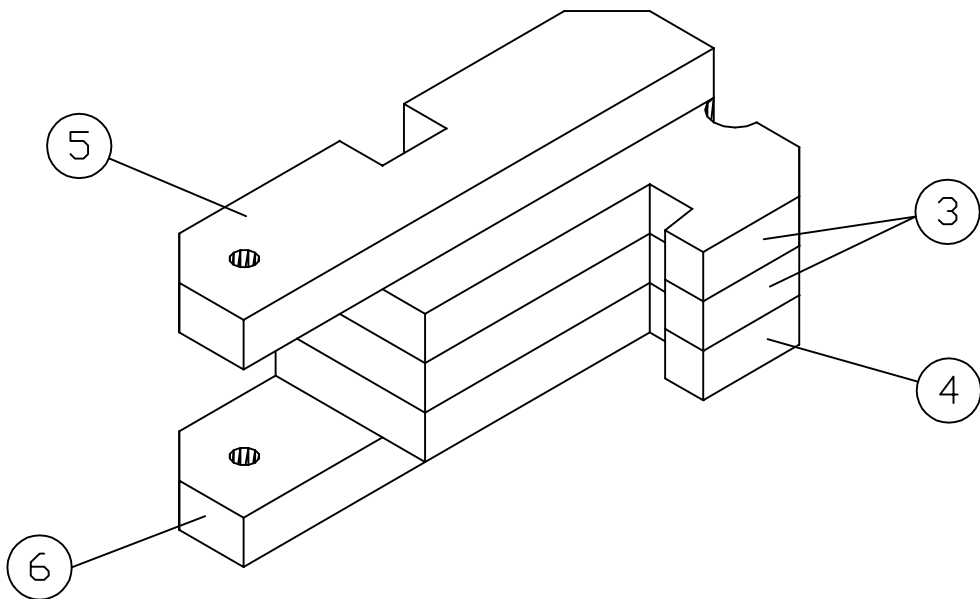
- scroll saw (fret saw)
- drill press (cordless drill)
- sandpaper
- wood glue
- screwdriver
- ø2 brad point drill

1

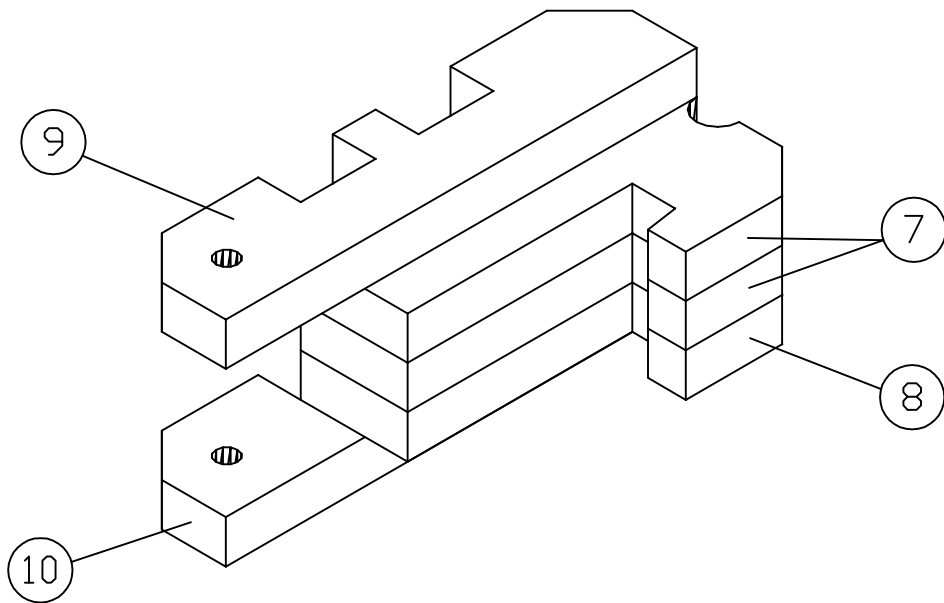
2x



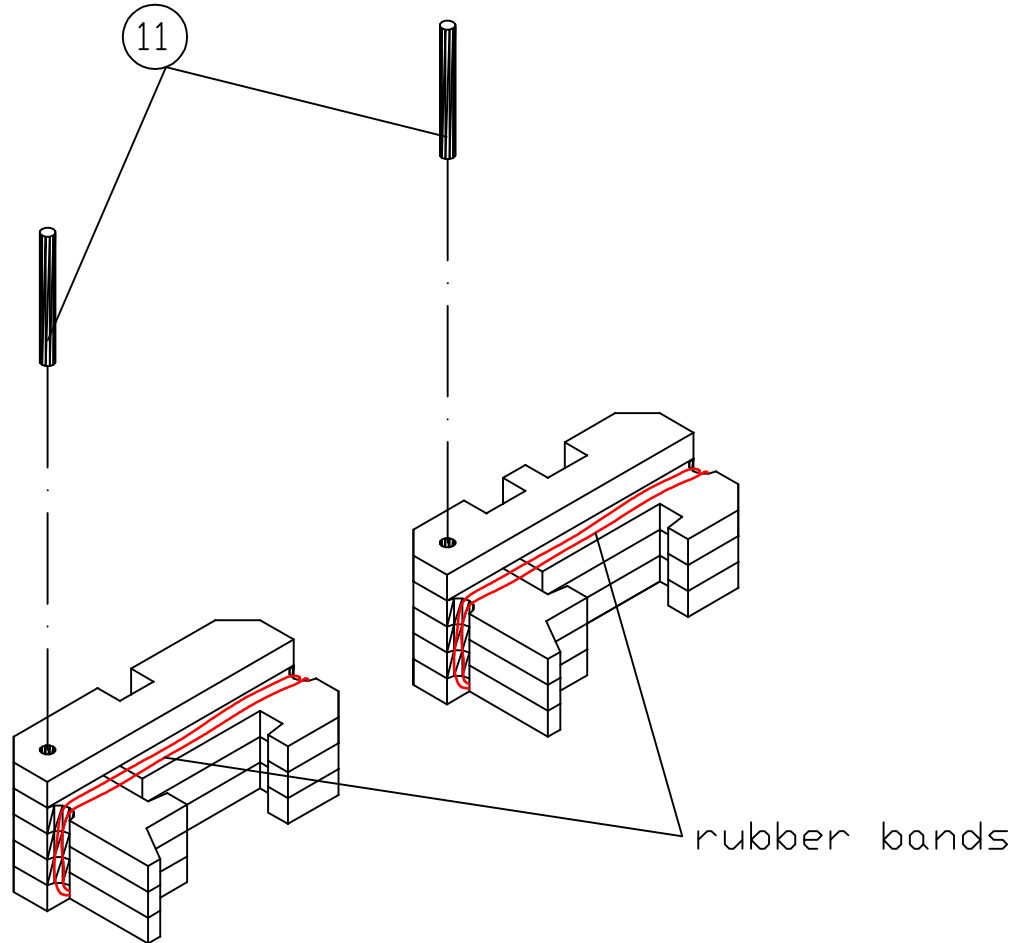
2

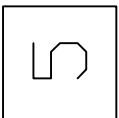
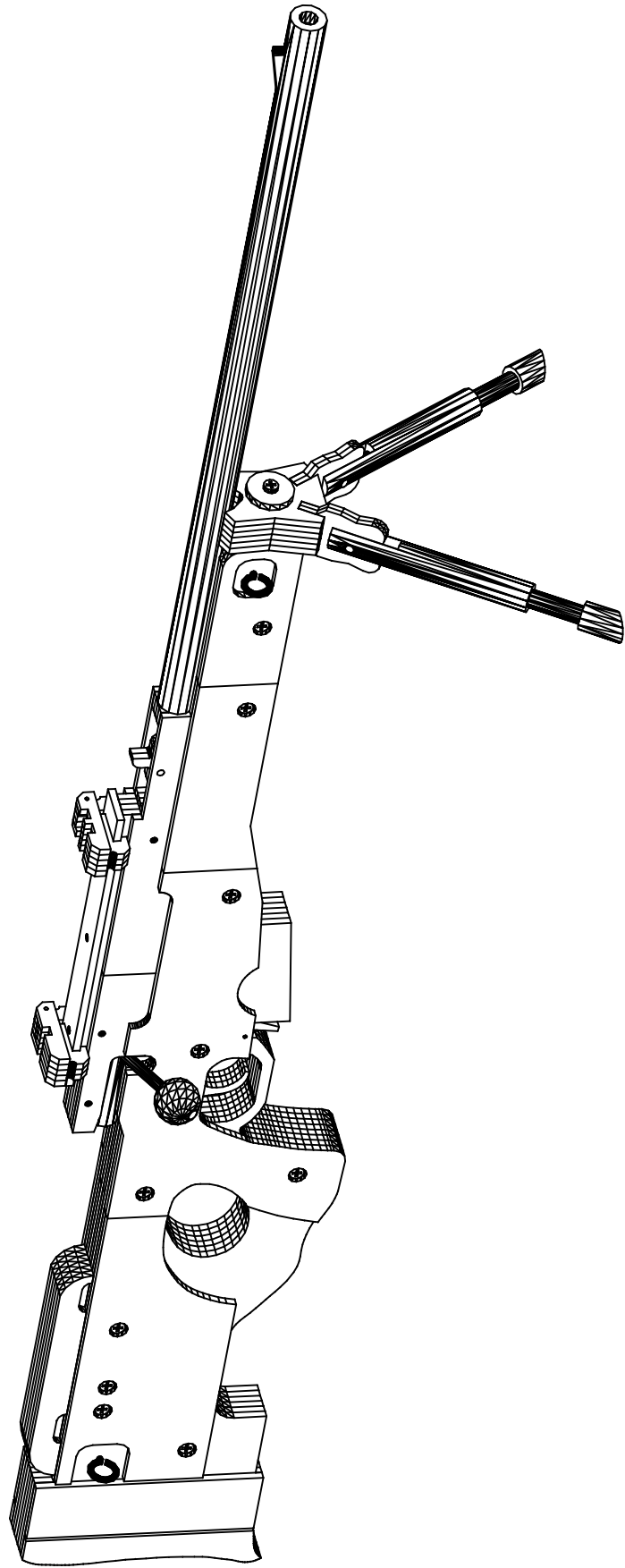


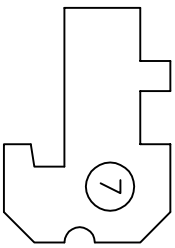
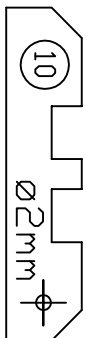
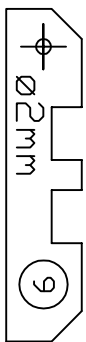
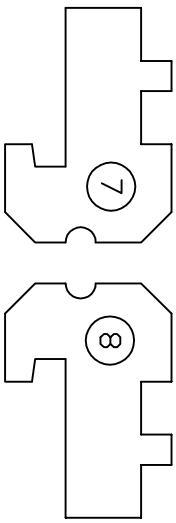
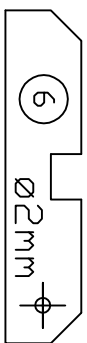
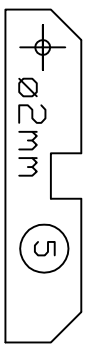
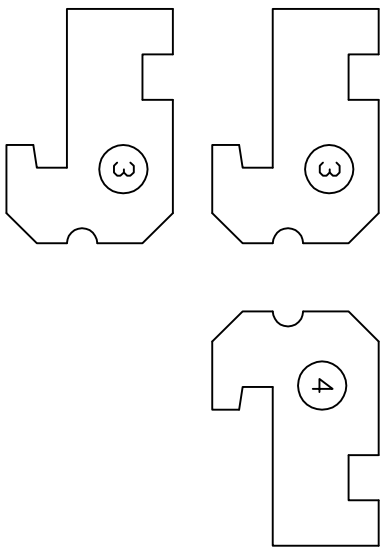
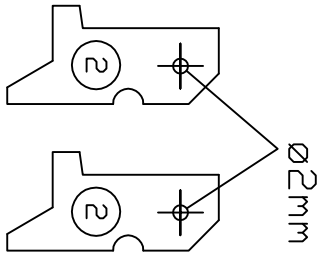
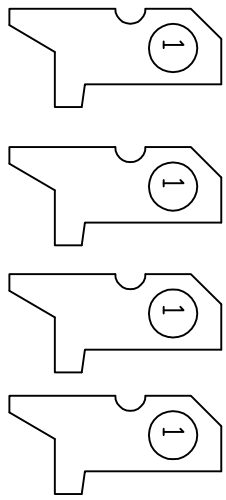
3



4







(11) steel

